

## P1 Flush Pull

Low profile · Lift or pull · Single hole mount

### Features

- Easy installation
- Deep pocket

### Product Performance

- Flammability rating: UL94-HB or UL94-V0
- Operating temperature range: -50 °C to 60 °C
- Maximum static load:
  - Lifting / pulling: 1,300 N



- Pushing / sliding: 450 N

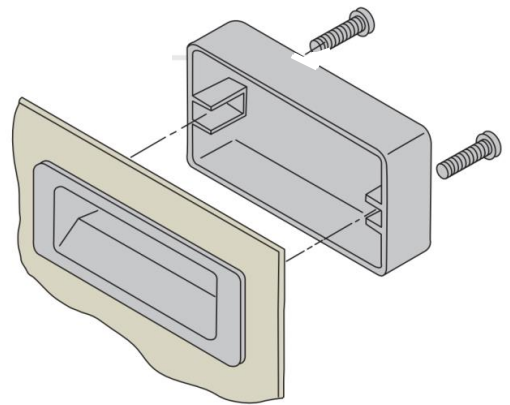
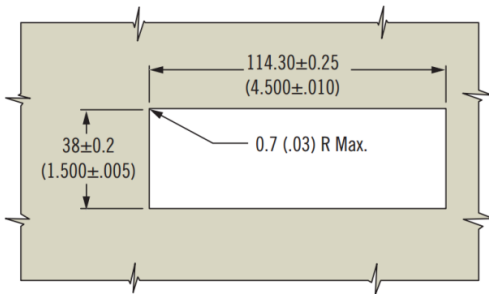
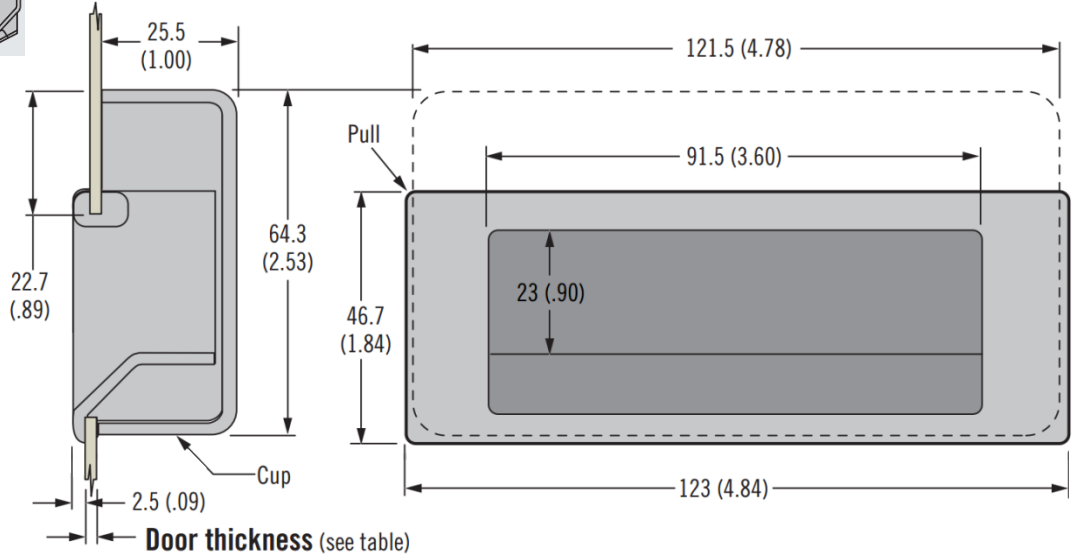


### Material

- Pull and cup: ABS plastic, black
- Screws: Steel, zinc plated

### Notes

- Mounting screws supplied.
- Door thickness less than the minimum for each range allows some movement of the pull.
- Maximum torque for mounting screws is 0.5 N.m



Door Thickness Range		Part Number	
Min.	Max.	UL94-HB	UL94-V0
1.0 (.040)	1.8 (.070)	P1-30-101-11	P1-31
1.8 (.070)	3.3 (.130)	P1-30-103-11	P1-33
3.3 (.130)	4.8 (.190)	P1-30-105-11	P1-35
4.8 (.190)	6.3 (.250)	P1-30-107-11	P1-37